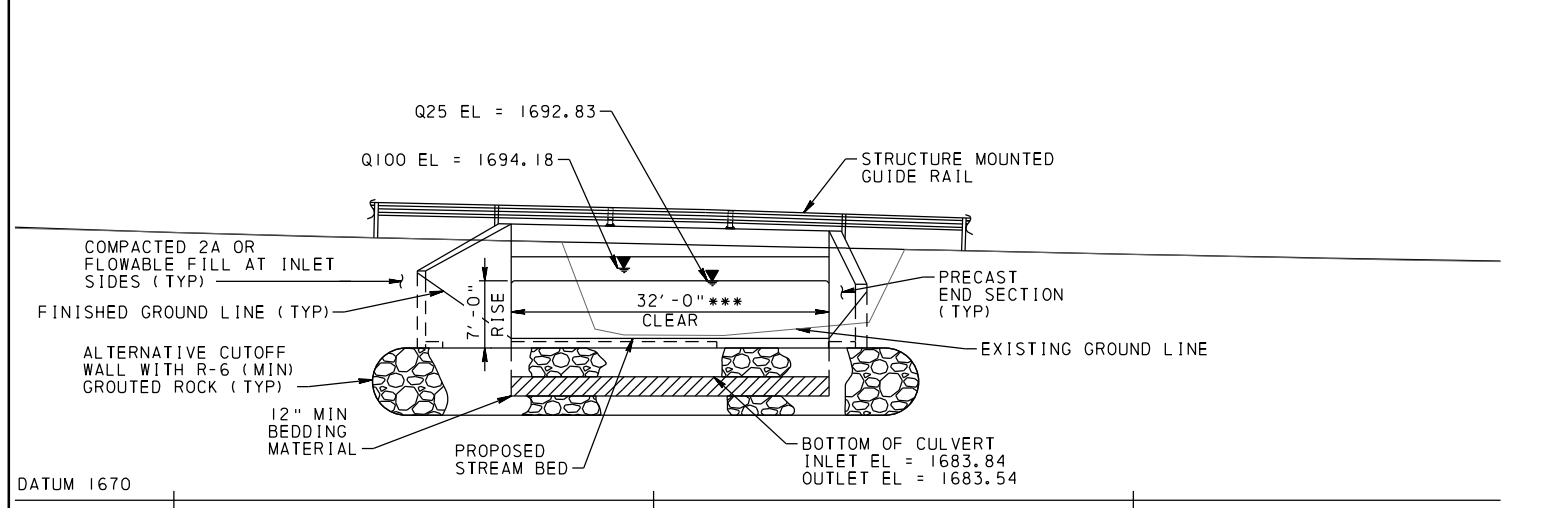
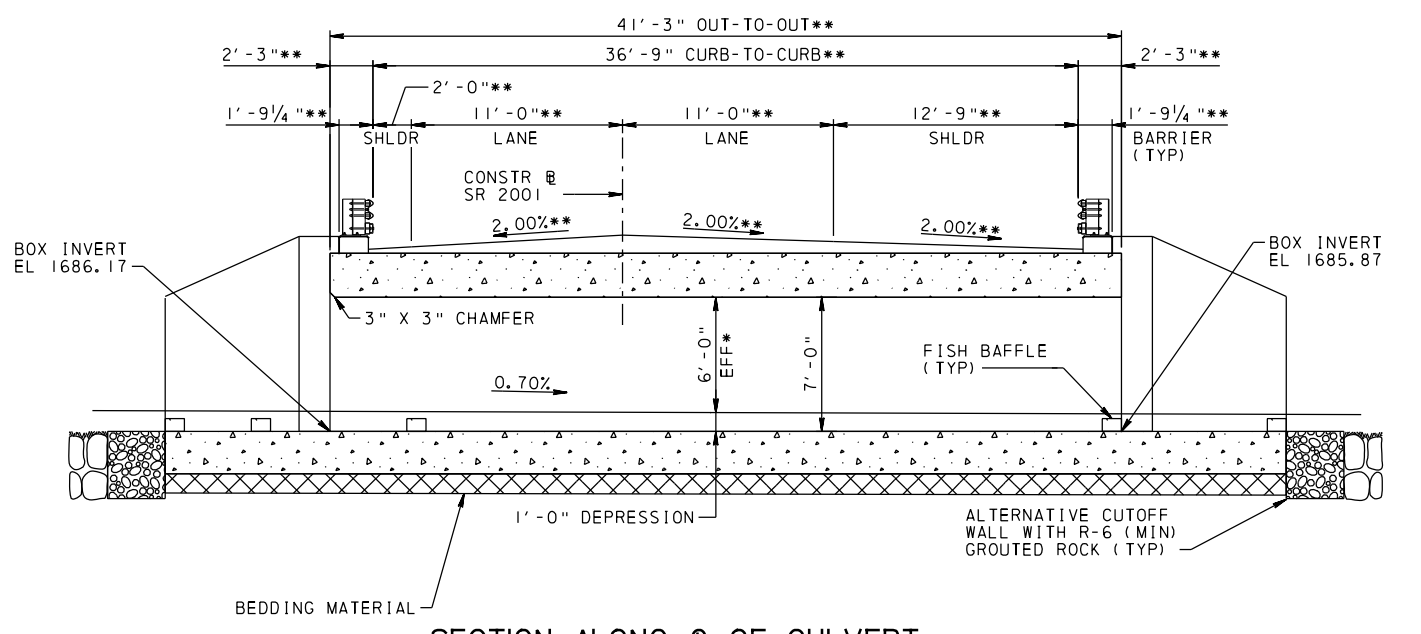


PLAN
5 0 5 10 FEET



ELEVATION
5 0 5 10 FEET

*** MEASURED PERPENDICULAR TO ϕ BOX CULVERT



SECTION ALONG ϕ OF CULVERT
NTS

* MIN VERTICAL CLEARANCE REQUIRED = 3.00'
 * MIN VERTICAL CLEARANCE PROVIDED = 6.00'
 ** MEASURED PERPENDICULAR TO ϕ

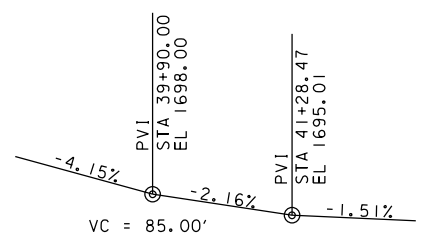
HYDRAULIC DATA
SEVEN MILE RUN

RETURN PERIOD - 25 YR FLOOD
 WATER SURFACE EL = 1,692.83
 Q = 950 CFS
 V = 5.54 FPS
 RETURN PERIOD - 100 YR FLOOD
 WATER SURFACE EL = 1,694.18
 Q = 1,290 CFS
 V = 3.42 FPS
 DRAINAGE AREA 7.88 SQ. MILES
 WATERWAY OPENING 192 SQ. FEET
 FLOOD OF RECORD - UNKNOWN
 WATER SURFACE ELEVATION (FLOOD) - UNKNOWN

HORIZONTAL CURVE DATA

SR 2001 CONSTR ϕ
 TANGENT
 DESIGN SPEED = 45 MPH

VERTICAL CURVE DATA



Mark	Description	By	Chk'd.	Recm'd.	Date
REVISIONS					

JV 71 | BRIDGE KEY 25495 | BMS 42 2001 0010 0806 | MPMS 4486

COMMONWEALTH OF PENNSYLVANIA
DEPARTMENT OF TRANSPORTATION

MCKEAN COUNTY
S.R. 2001 SECTION A01
 SEG. 0010 OFF. 0805
 S.R. 2001 STA 40+58.68
 OVER SEVEN MILE RUN
32'-0" X 7'-0" PRECAST CONCRETE BOX CULVERT
TYPE, SIZE AND LOCATION

RECOMMENDED _____ SHEET 1 OF 3

S-34966

NOTES:

1. FOR GENERAL NOTES, AND LOAD RATING SUMMARY, SEE SHEET 2 OF 2.

DESCRIPTION	DWG. NO.	APP. DATE
TEMPORARY CONCRETE BARRIER, STRUCTURE MOUNTED	BC-719M	10-26-10
PA STRUCTURE MOUNTED GUIDE RAIL BARRIER	BC-706M	11-26-13
ANCHOR SYSTEMS	BC-734M	10-26-10
WALL CONSTR & EXP JOINT DETAILS	BC-735M	10-26-10
REINFORCEMENT BAR FABRICATION DETAILS	BC-736M	5-18-12
TYPICAL WATERPROOFING AND EXPANSION DETAILS	BC-788M	5-18-12
MECHANICAL CONNECTION DETAILS	BC-798M	11-26-13

SUPPLEMENTAL DRAWINGS

- LEGEND:**
- SOIL BORING
 - INDICATES TRAFFIC DIRECTION
 - EXISTING CONTOURS
 - PROPOSED CONTOURS
 - WETLANDS

BORING	STATION	OFFSET
B-1	40+33.59	5.00' LT
B-2	40+82.40	5.00' LT

PREPARED BY:

HDR
 HDR ENGINEERING, INC.
 11 STANWIX STREET
 SUITE 800
 PITTSBURGH, PA 15222
 8/14/15
 SIGNATURE & DATE *Jason A Fuller*

USER: dlute
 PATH: \\COM0094634\00000000245351\6_0_CAD_BLM\6_2_Work\In_Progress\6_2_2_Contract\Files\2_2_1_Sheet_1_of_1.dwg
 FILE: RBRP-JV071-0PELO1
 PLOT DATE: 08-06-2015 3:05:03 PM
 MODEL: D:\pe\1